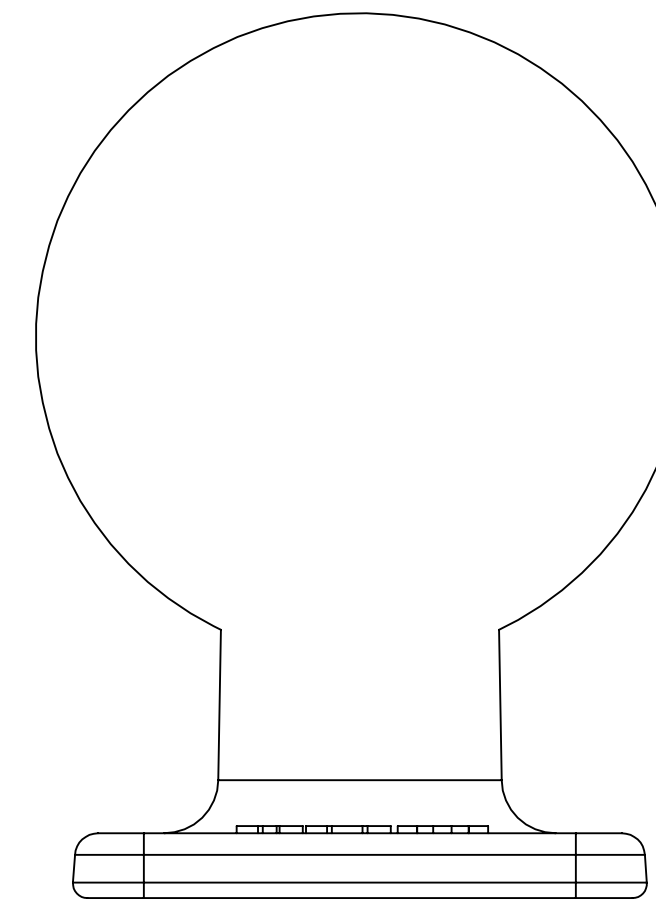
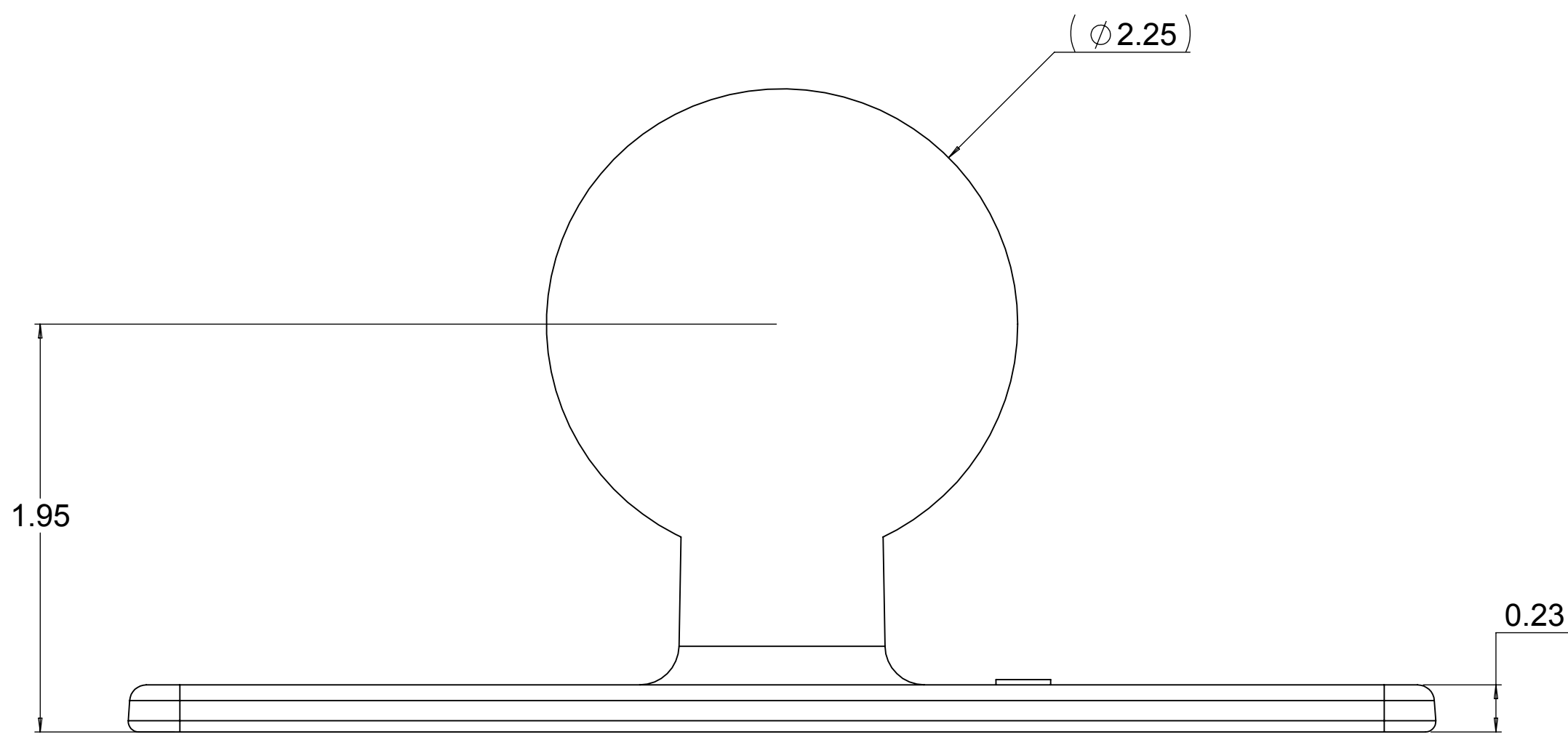
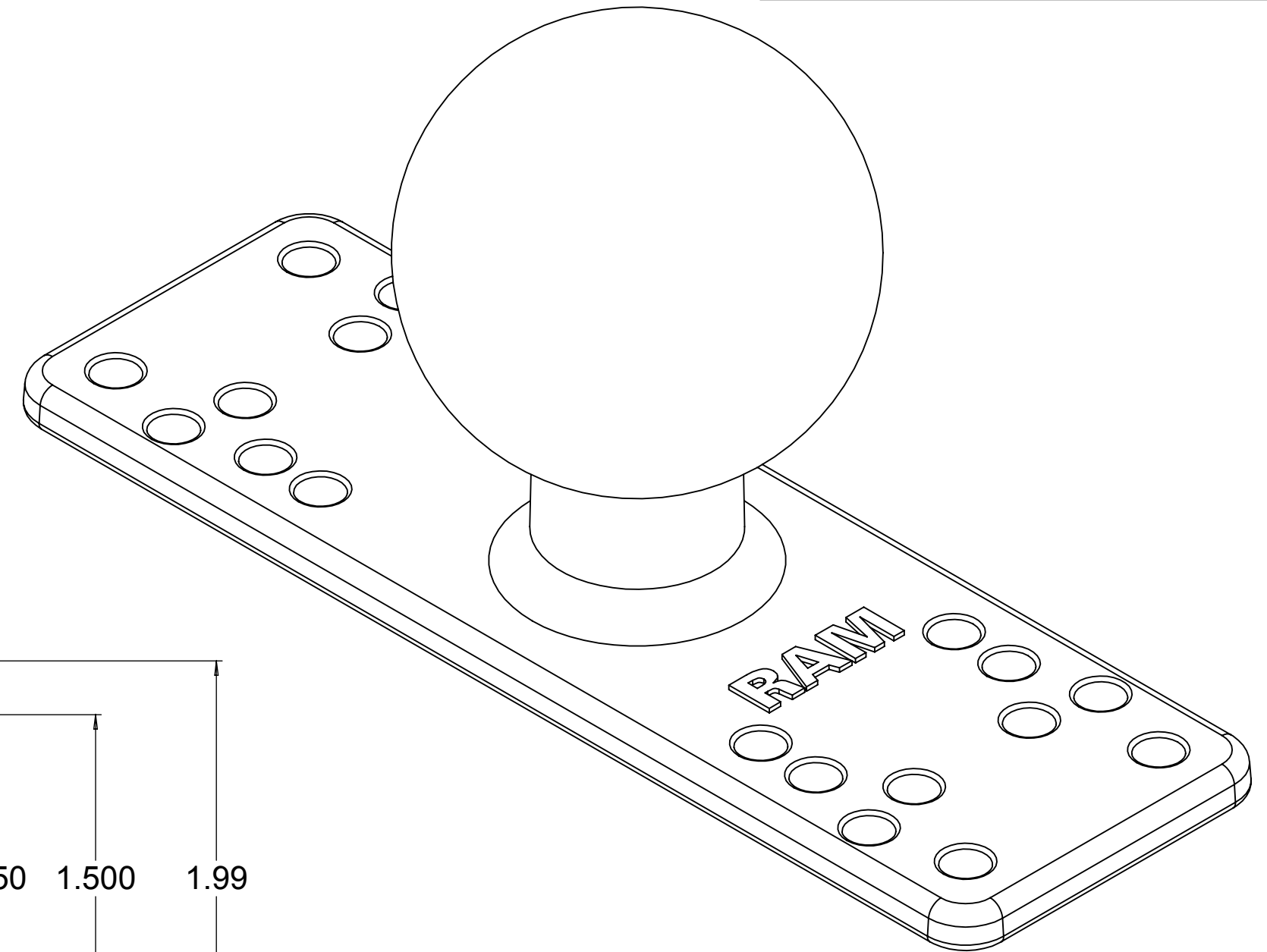
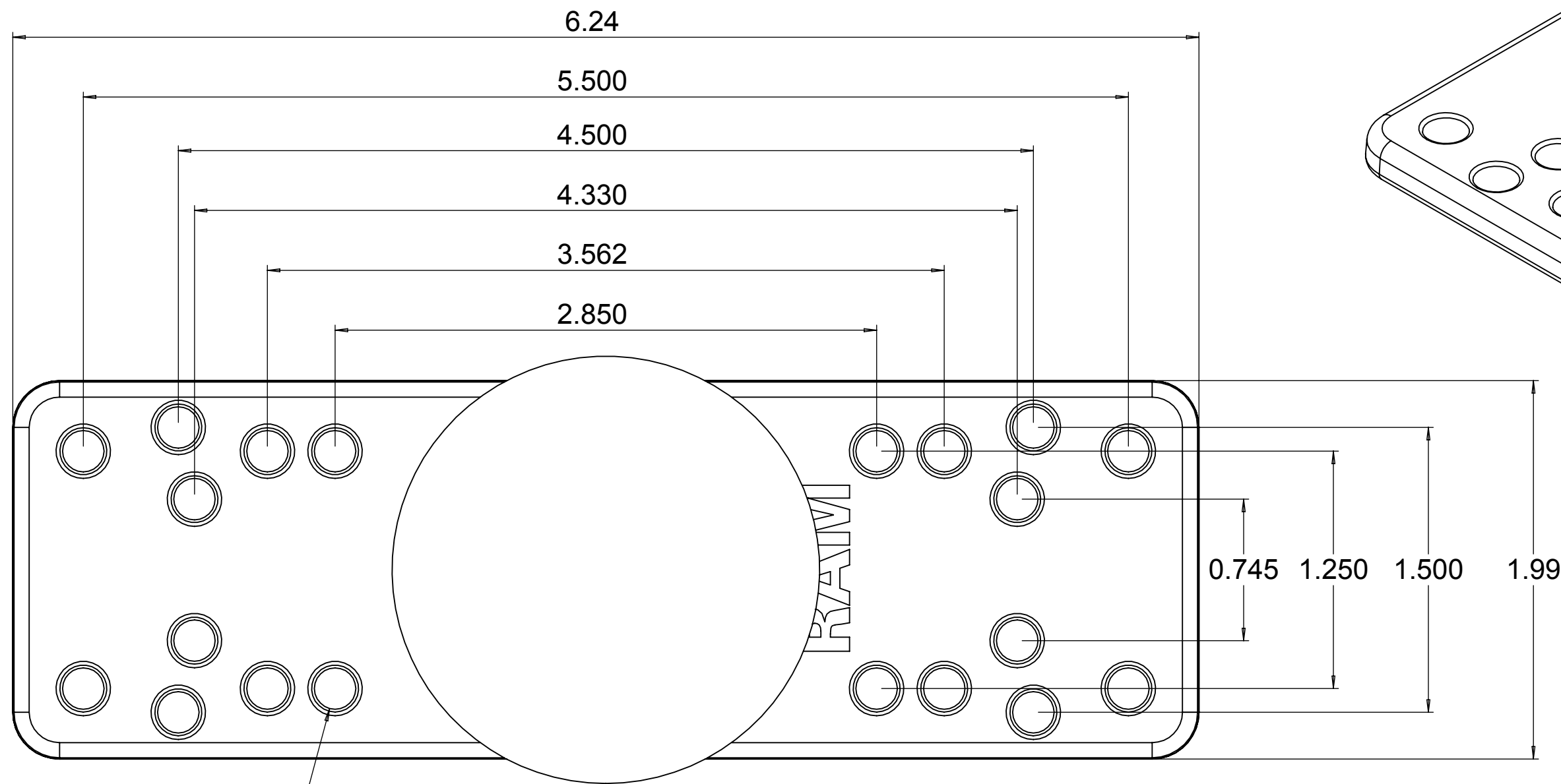


THE INFORMATION CONTAINED IN THIS DRAWING IS THE SOLE PROPERTY OF NATIONAL PRODUCTS INC. ANY REPRODUCTION IN PART OR WHOLE WITHOUT THE WRITTEN PERMISSION OF NATIONAL PRODUCTS INC. IS PROHIBITED.

REVISIONS		DATE	APPROVED
REV.	DESCRIPTION		



UNLESS OTHERWISE SPECIFIED DIMENSIONS ARE IN INCHES TOLERANCES ARE:		CAD GENERATED DRAWING. DO NOT MANUALLY UPDATE		NATIONAL PRODUCTS INC.	
FRACTIONS	DECIMALS	ANGLES	APPROVALS	DATE	DRAWN: SMG 07/28/17
$\pm 1/32$.xx ±.03	1°	CHECKED		
MATERIAL	xxx ±.010		RESP ENG		RAM 2" X 6 1/4" ELEC. BRKT W/ 2 1/4" BAL
FINISH			MFG ENG		SIZE DWG. NO. RMR-D-115-F
DO NOT SCALE DRAWING			QUAL ENG		SCALE: 1 TO 1 CAD FILE: SHEET 1 OF 1